

# Orbital Truss Kiosk 01

## OR-KIOSK-01

Orbital Express™ Truss Kiosks are the perfect way to display media and/or literature at any trade show, event, retail or corporate space. Kiosks complement the Orbital Truss Express line of 10', 20' and 20' x 20' displays. Monitors not included. Kiosk table tops and bases available in choice of four thermoform finishes.



## features and benefits:

- Kit Includes:

- 2 x 36" Straight truss lengths
- 1 x Finished base
- 1 x Monitor Mount
- 1 x Truss End Cap
- 1 x Magnetic Mounted Graphic
- 1 x OCH2 Case

- Supports 23" monitor\*, max weight = 30 lbs
- Top and base available in four thermoform finishes, shown below
- Five year hardware warranty against manufacturer defects

## dimensions:

Hardware	Graphic
<p>Assembled unit: 30" w x 73.75" h x 20" d 762mm x 1873.25mm x 508mm</p> <p>Weight (includes graphics): 39 lbs / 17.7 kgs</p>	<p>Total visual area: 12" w x 47.25" h x .25" d 305mm(w) x 1200mm(h) x 6mm(d)</p> <p>Please be sure to include 1/2" bleed around the perimeter.</p> <p>Refer to related graphic template for more information.</p>
<p>Shipping</p> <p>Shipping dimensions: One OCH2: 50" l x 30" w x 15" h</p> <p>Approximate shipping weight (with case): 72 lbs / 32.7 kgs</p>	<p>Visit: <a href="http://www.exhibitors-handbook.com/graphic-templates">www.exhibitors-handbook.com/graphic-templates</a></p>

## additional information:

Graphic material:  
6mm white pvc

Supports 23" monitor\*, max weight = 30 lbs

\*Monitor not included

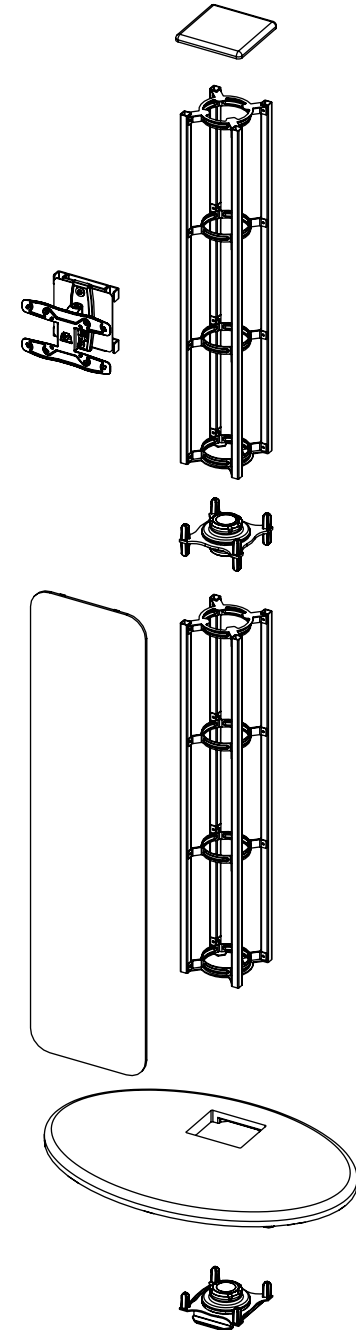
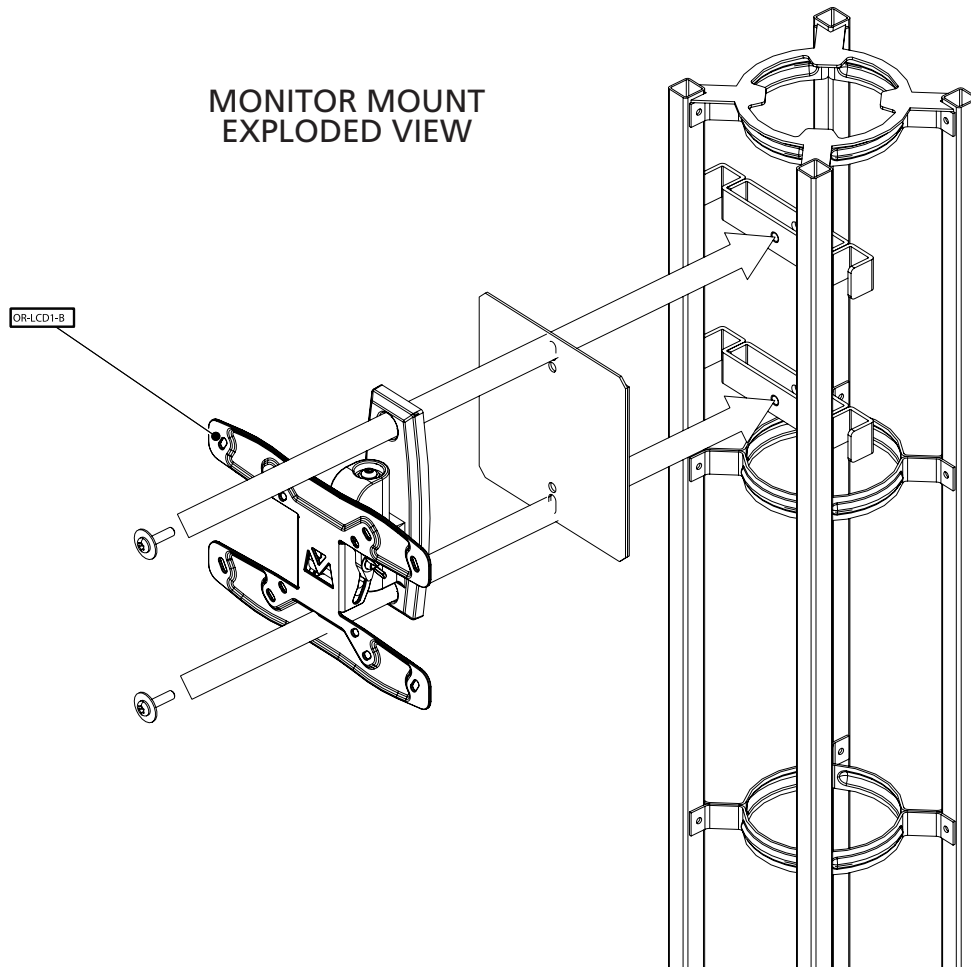
Keep all packaging materials

Top/Base colors:

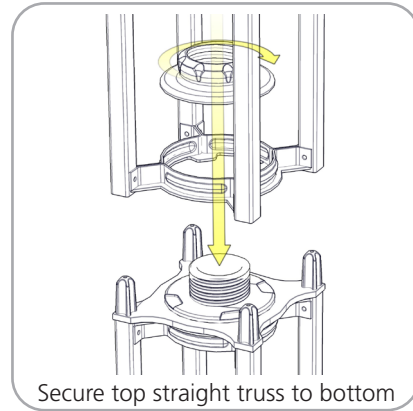
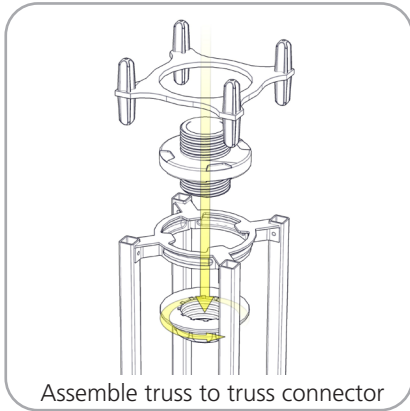
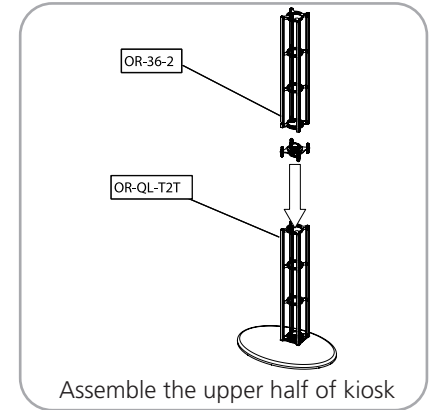
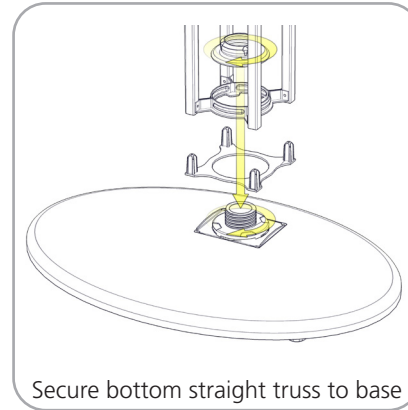
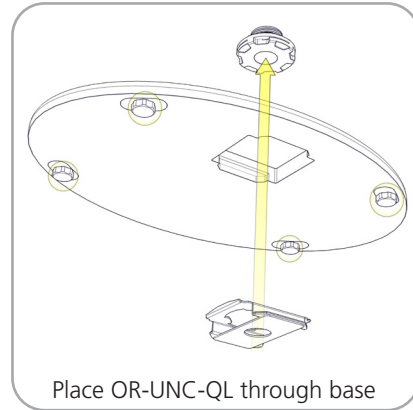
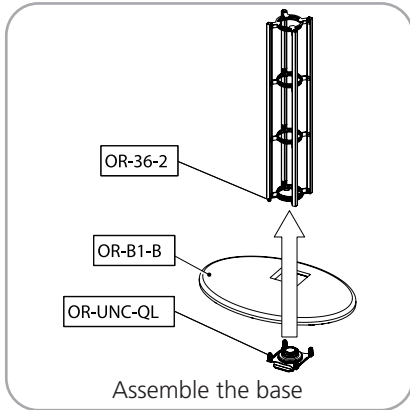


We are continually improving and modifying our product range and reserve the right to vary the specifications without prior notice. All dimensions and weights quoted are approximate and we accept no responsibility for variance. E&OE. See Graphic Templates for graphic bleed specifications.

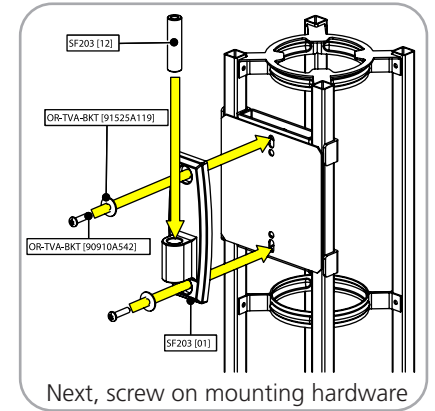
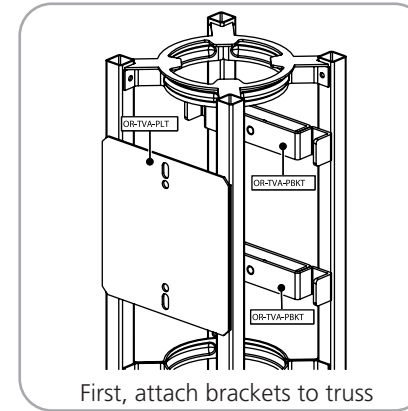
Parts Included		
Part Label	Qty	Part Code
ORBITAL 36" STRAIGHT TRUSS, QL VERSION	x2	OR-36-2
ORBITAL BASE 01	x1	OR-B1
ORBITAL KIOSK 01 GRAPHIC, 11.8"w x 47.25"h x .25"d	x1	OR-KIOSK-01-G
OPTI-MOUNT TILTING MOUNT FOR SMALL (13"-27"; MAX WEIGHT 50 LBS) FLAT PANEL LCD	x1	OR-LCD1-B
ORBITAL EXPRESS TRUSS TO TRUSS CONNECTOR KIT	x1	OR-QL-T2T
ORBITAL TRUSS END CAP, 15MM THICK	x1	OR-TEC-15
ONE PIECE UNIVERSAL CONNECTOR FOR ORBITAL EXPRESS QUICK LOCK	x1	OR-UNC-QL



## STEP 1: ASSEMBLE FRAME



## STEP 2: ATTACH MONITOR MOUNT TO TRUSS



## STEP 3: ATTACH GRAPHIC

