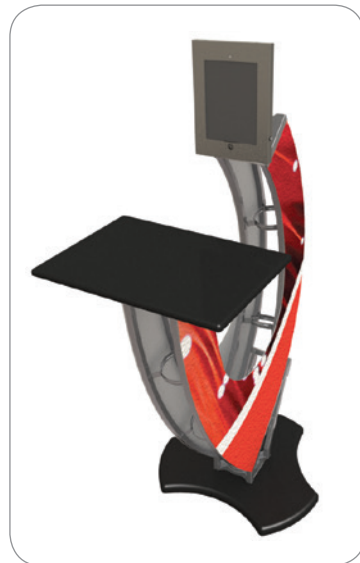


Orbital Truss Kiosk 06

OR-KIOSK-06

Orbital Express™ Truss Kiosks are the perfect way to display media and/or literature at any trade show, event, retail or corporate space. Kiosks complement the Orbital Truss Express line of 10', 20' and 20' x 20' displays. Monitors not included. Kiosk table tops and bases available in choice of four thermoform finishes.



Shown with iPad media kit

We are continually improving and modifying our product range and reserve the right to vary the specifications without prior notice. All dimensions and weights quoted are approximate and we accept no responsibility for variance. E&OE. See Graphic Templates for graphic bleed specifications.

features and benefits:

- Kit Includes:

- 1 x 45° Curved truss piece
- 1 x 90° Curved truss piece
- 1 x Finished base
- 1 x Finished counter top
- 1 x Multi-media connector kits
- 2 x Magnetic mounted graphics
- 1 x OCH2 case

- Supports 23" monitor*, max weight = 50 lbs
- Table is 20" w x 14" d
- Base available in four thermoform finishes, shown below
- Five year limited hardware warranty against manufacturer defects

dimensions:

Hardware

Assembled unit:
24" w x 56" h x 34" d
609.6mm(w) x 1422.4mm(h) x 863.6mm(d)

Table:
20" w x 14" d

Weight:
44 lbs / 20 kgs

Graphics

Total visual area:
29.84" w x 46.84" h
758mm(w) x 1190mm(h)

Please be sure to include a 2" bleed around the perimeter

Shipping

Shipping dimensions:
One OCH2: 50" l x 30" w x 15" h

Approximate shipping weight (with case):
80 lbs / 36.3 kgs

Keep all packaging materials

additional information:

Supports 23" monitor*, max weight = 50 lbs

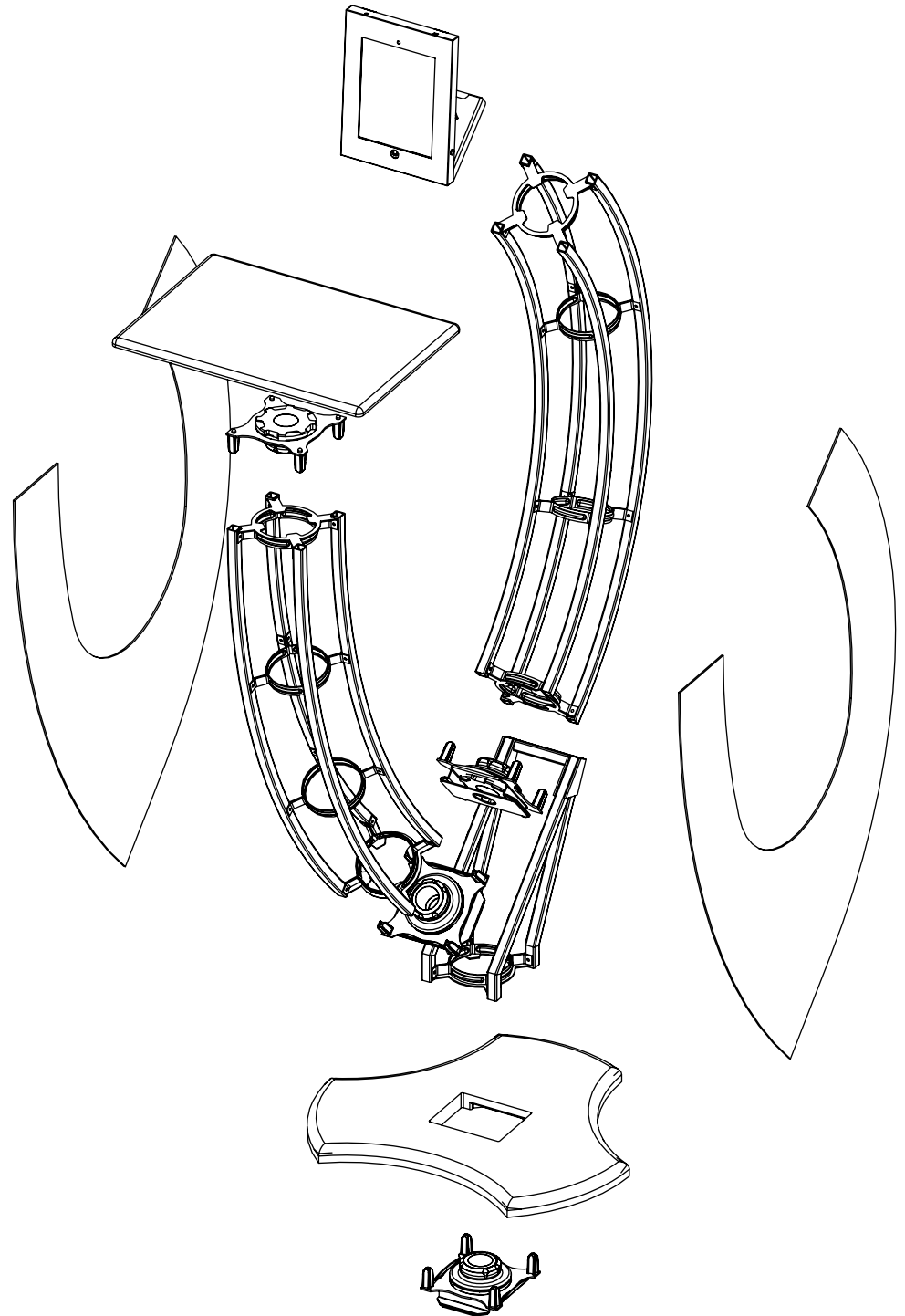
*Monitor not included

Table / Base colors:

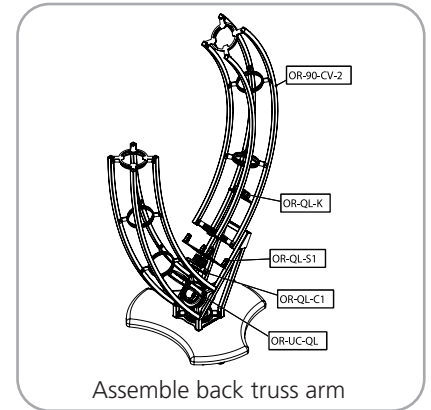
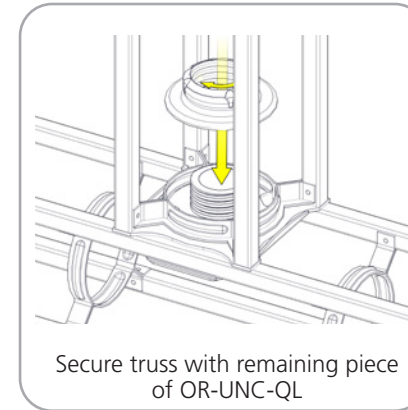
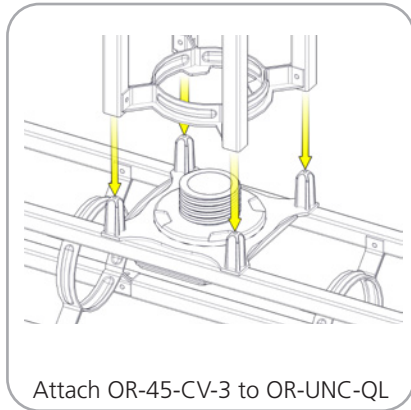
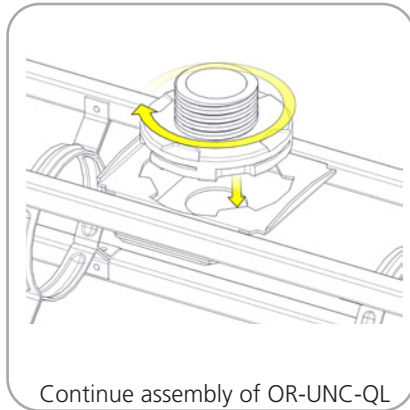
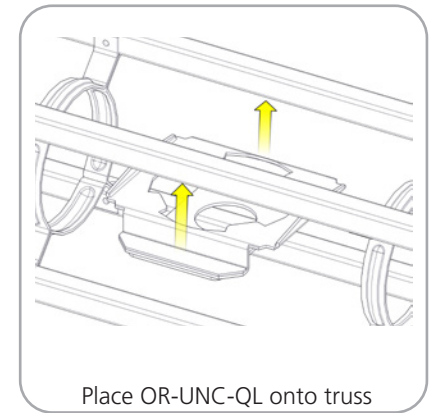
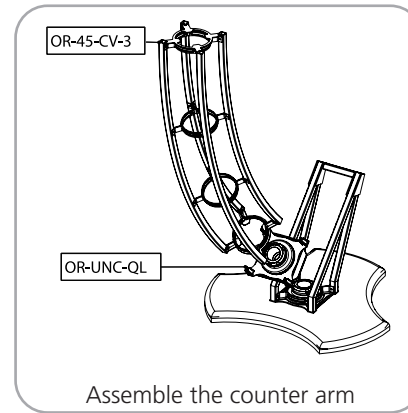
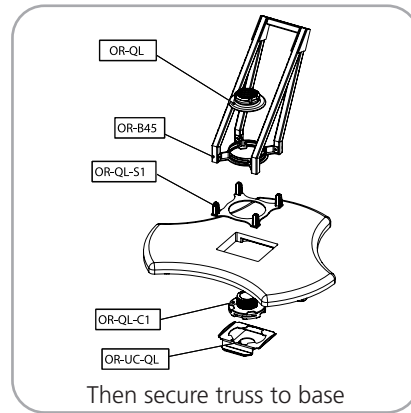
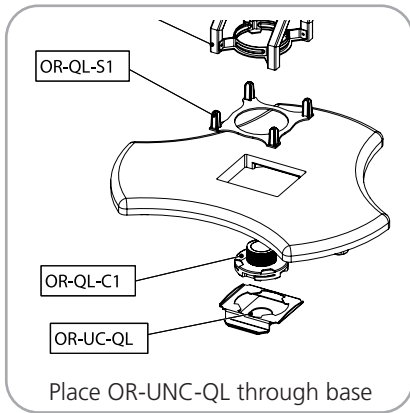


silver black mahogany natural

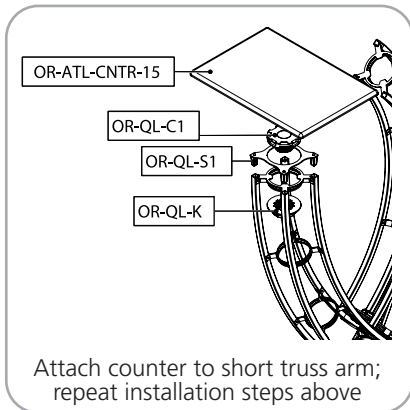
Parts Included		
Part Label	Qty	Part Code
ORBITAL EXPRESS QL 46° CURVED TRUSS	x1	OR-45-CV-2
ORBITAL EXPRESS QL 90° CURVED TRUSS	x2	OR-90-CV-2
ORBITAL ATLANTIS COUNTER 15MM TOP	x1	OR-ATL-CNTR-15
ORBITAL BASE 03	x1	OR-B3
ORBITAL EXPRESS 45 DEGREE BASE LEGS	x1	OR-B45
ORBITAL KIOSK 09 GRAPHIC	x2	OR-KIOSK-06-G
ORBITAL MULTI-MEDIA MOUNTING KIT	x2	OR-MM-KIT
ORBITAL EXPRESS TRUSS TO JUNCTION CONNECTOR KIT	x1	OR-QL-T2J
ONE PIECE UNIVERSAL CONNECTOR FOR ORBITAL EXPRESS QUICK LOCK	x3	OR-UNC-QL



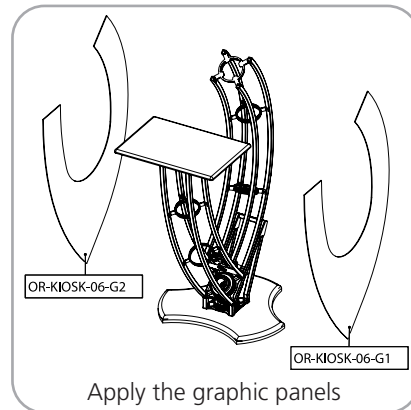
STEP 1: ASSEMBLE FRAME



STEP 3: ATTACH COUNTER



STEP 4: ATTACH GRAPHICS



STEP 5: ATTACH MULTI-MEDIA MOUNT

