

Formulate Master 10ft VC6 Display

FMLT-WV10-06


Formulate® is a collection of sophisticated, ergonomically designed exhibit booths. Formulate combines state-of-the-art zipper pillowcase dye-sublimated fabric coverings with advanced lightweight aluminum structures to provide unique design, functionality, and style. The excellence of the Formulate line of displays, hanging structures and products is simply unmatched. Stretch fabric graphics are hand-sewn, durable and dry-cleanable.



features and benefits:

- State-of-the-art 50mm aluminum tube with internal spigot connectors
- Easy to store and ship
- Quick to set up
- Supports monitor* up to 37", max 40 lbs.
- Kit includes: one frame, one dye-sublimated pillowcase zipper graphic, one monitor mount, and one wheeled shipping case
- Lifetime hardware warranty against manufacturer defects

dimensions:

Hardware	Graphic
<p>Assembled unit: 114"w x 92"h x 33.5"d 2896mm(w) x 2335mm(h) x 850mm(d)</p> <p>Approximate weight: 75 lbs / 34 kgs</p>	<p>Refer to related graphic template for more information.</p> <p>Visit: www.tradeshowplus.com</p>
Shipping	additional information:
<p>Packing case(s): 1 OCH2</p> <p>Shipping dimensions: 52"l x 29"h x 15"d 1321mm(l) x 737mm(h) x 381mm(d)</p> <p>Approximate total shipping weight: 95 lbs / 43 kgs</p>	<p>Graphic material: Dye-sublimation zipper pillowcase fabric</p> <p>When included in a larger kit, a different packaging solution will be listed to accommodate all contents of the kit. Individual packaging no longer provided.</p>
<p>2 person assembly recommended:</p> 	

We are continually improving and modifying our product range and reserve the right to vary the specifications without prior notice. All dimensions and weights quoted are approximate and we accept no responsibility for variance. E&OE. See Graphic Templates for graphic bleed specifications.

Included In Your Kit

Tools, Components, & Connectors



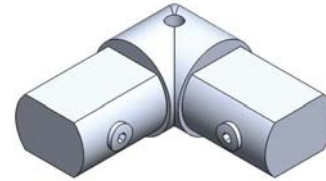
ALLEN KEY SET x1



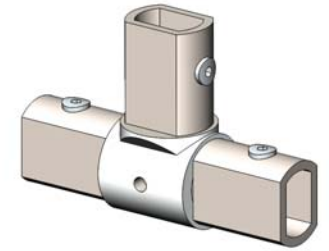
EXT-SM-MB x1



ES50 x7



ES50-2W x4



ES50-C-ES50-S-ASY x2



FMLT-WV10-06-T1 x4



FMLT-WV10-06-T2 x1



FMLT-WV10-06-T3 x2



FMLT-WV10-06-T4 x2



FMLT-WV10-06-T5 x1

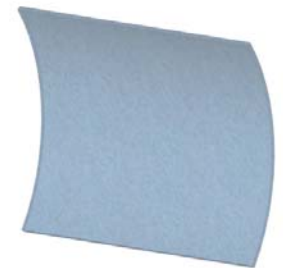


FMLT-WV10-06-T6 x3



FMLT-WV10-06-T7 x4

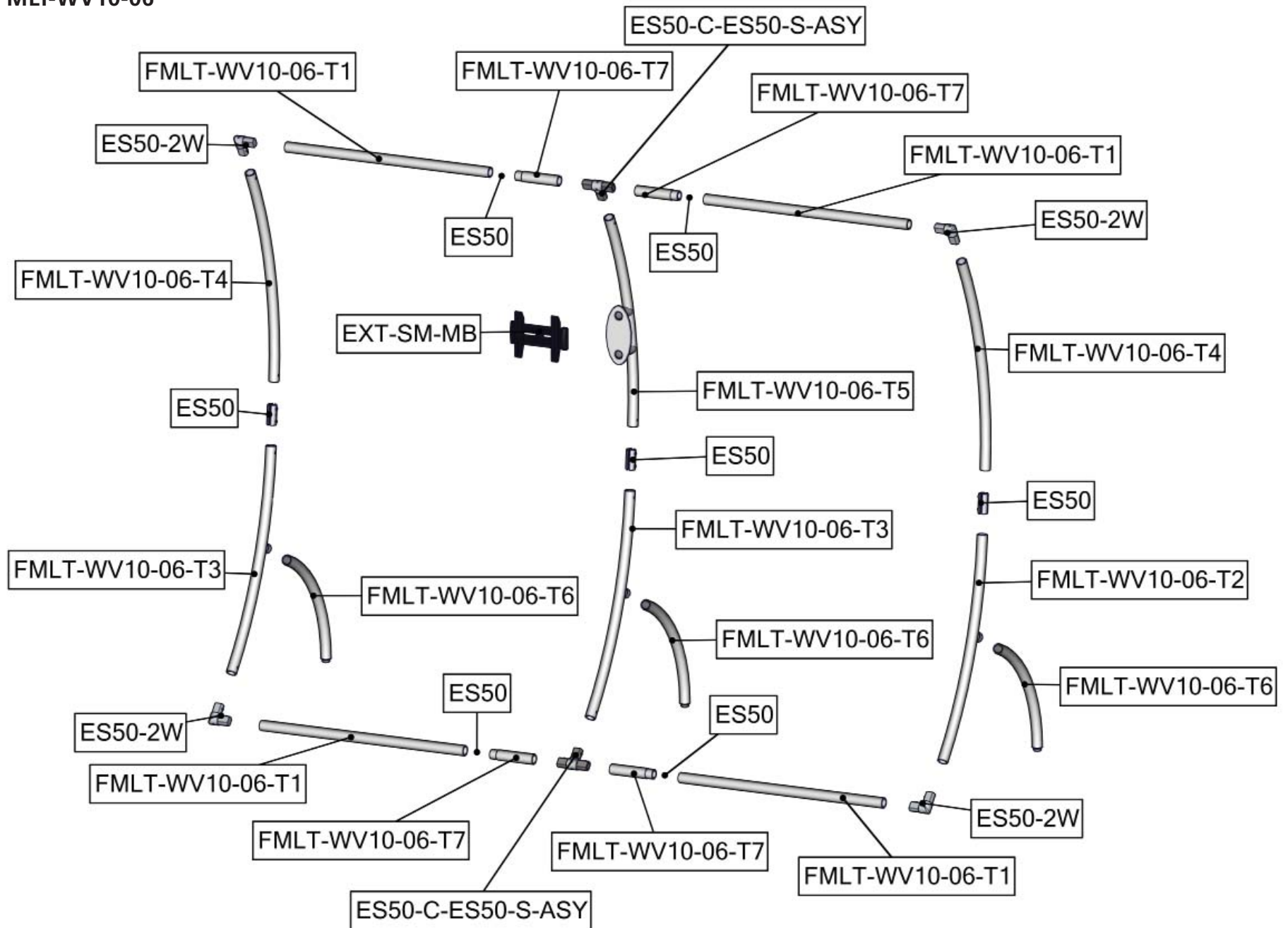
Graphics



FMLT-WV10-06-G x1

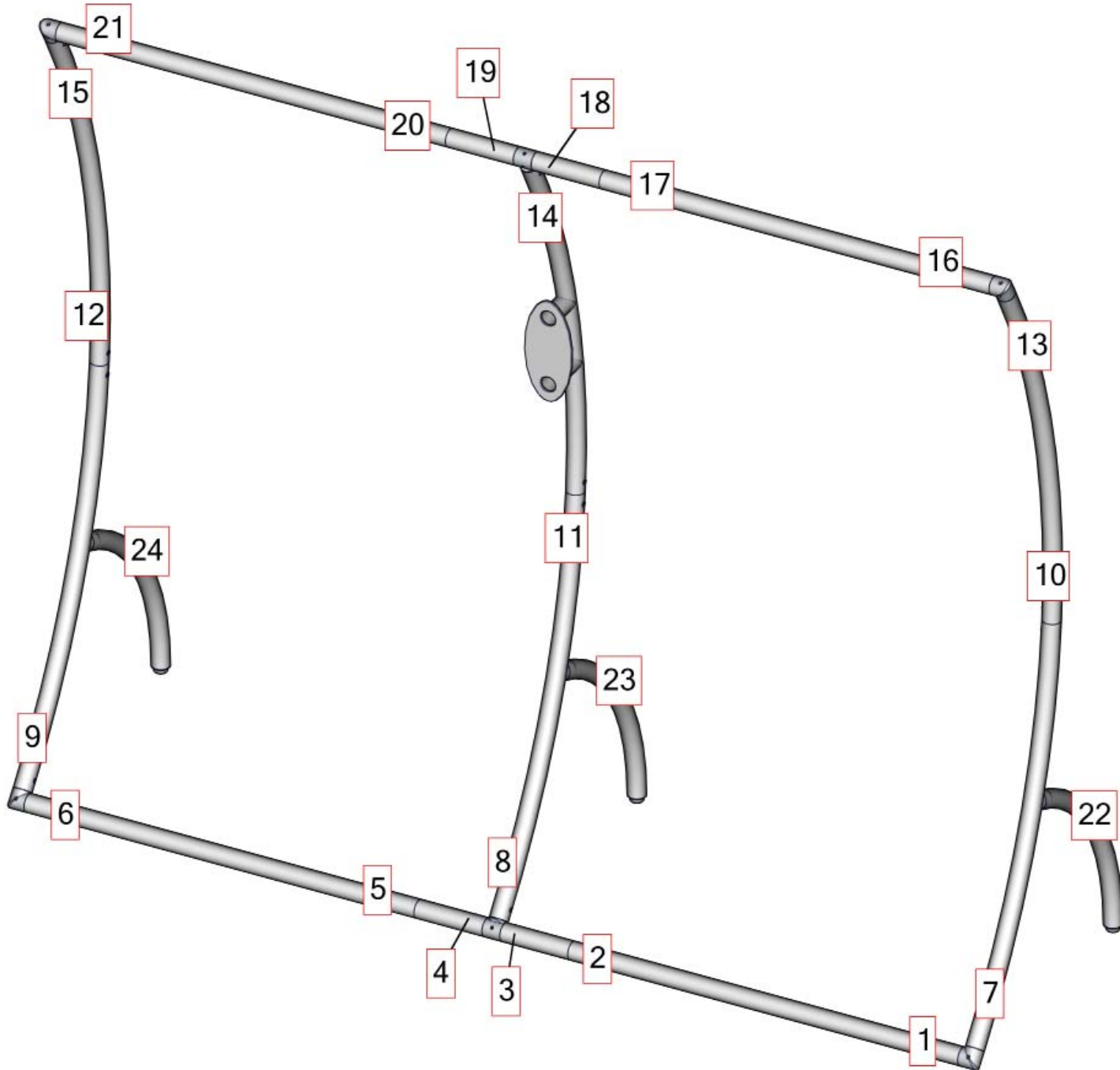
Exploded View

FMLT-WV10-06



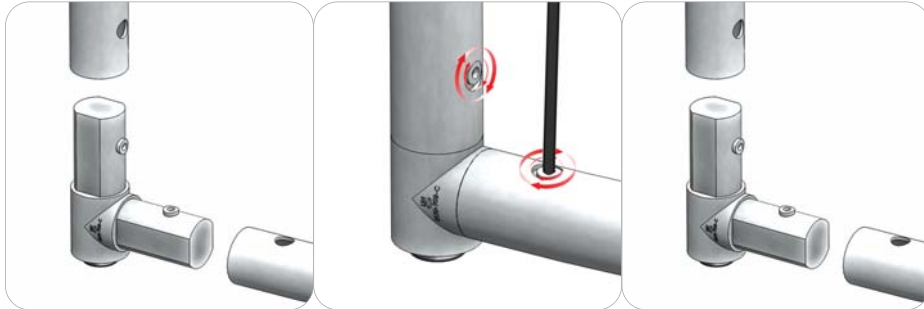
Labeling Diagram

FMLT-WV10-06



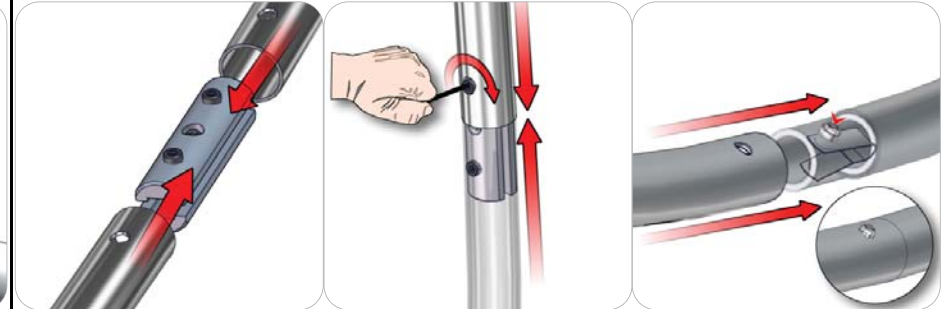
Connection Methods

Connection Method 1: ES50-2W



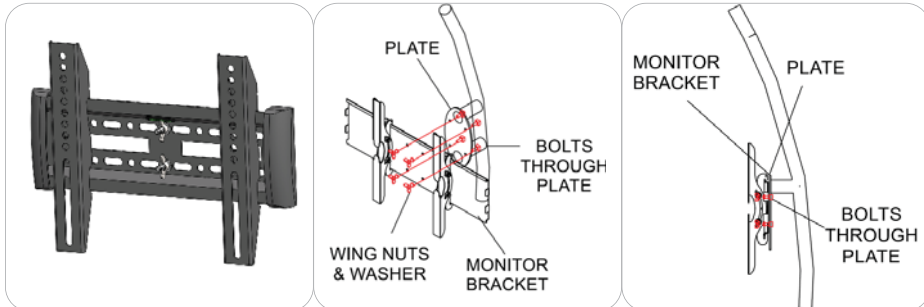
Compress one unlocked end of the connector and slide it through one tube end. Compress the other end of the connector and slide the second tube on. Lock both screws carefully using your allen key tool. Be sure to lock securely, but do not over tighten.

Connection Method 2: ES50 / SNAP BUTTONS



Compress the unlocked connector and slide one tube onto each end. Lock both screws carefully using your allen key tool. Be sure to lock securely, but do not over tighten. For snap button connections, locate the snap button on the connector or swage tube. Locate the hole on the corresponding tube. Press the snap button with your thumb and slide the tube and connector together so that the snap button snaps fully into the lock hole. To disassemble, press the snap button and pull apart.

Connection Method 3: MONITOR MOUNT



Remove the fastening hardware from the monitor mount bracket. Protrude the bolts through the tube frame plate. Fasten the monitor back plate onto the tube frame securing it with the provided wing nuts and washers.

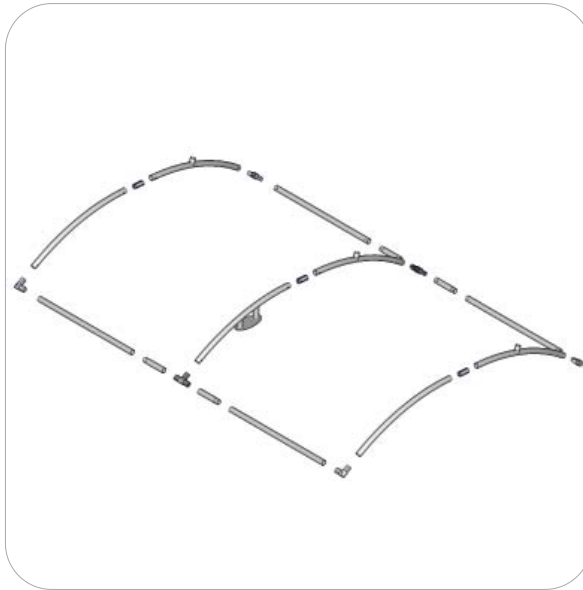
Kit Assembly

Step by Step

Step 1.

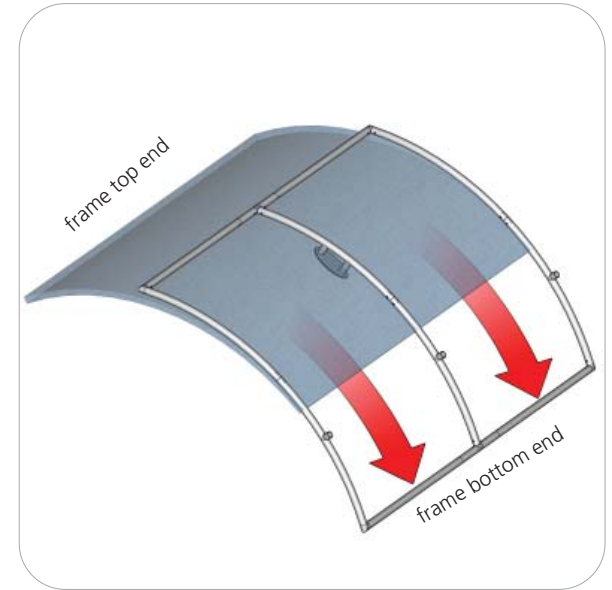
Gather the components to assemble the frame laid out on the floor as show in the image to the right. The back side of the frame should be facing up. Use the Exploded View and Labeling Diagram for component layout.

Reference Connections 1 and 2 for more details.



Step 2.

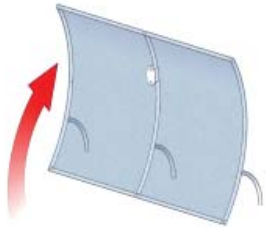
Lift the frame off the floor on the top side and pull the fabric pillowcase over the frame and down to the bottom end. Protrude the frame components out of the pillowcase. Zipper the pillowcase closed at the bottom of the frame.



Step 3.

With the back side of the frame facing up; attach the curved stabilizing tube legs. When they are secured, lift the structure up right.

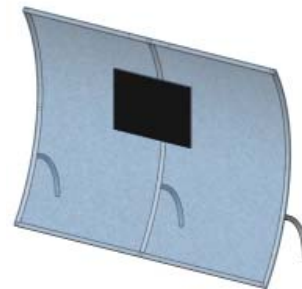
Reference Connections 1 and 2 for more details.



Step 4.

Make sure that the structure is stable and secure. Attach the monitor mount.

Reference Connection Method 3 and supplemental sheets for more details.



Monitor Bracket Instructions

Extrusion Channel Applications



EXT-SM-MB

Sizes: 17" - 37"

Max weight varies per application

Assembled unit:

9" w x 16" h x 1.4" d
230mm (w) x 410mm (h) x 35mm (d)

Shipping dimensions:

14" l x 6" h x 4" d
356mm (l) x 152mm (h) x 102mm (d)

Approximate total shipping weight:

6 lbs / 2.7 kgs

VESA:

75 x 75 - 200 x 200mm



EXT-M-MB

Sizes: 32" - 55"

Max weight varies per application

Assembled unit:

16" w x 16" h x 1.4" d
410mm (w) x 410mm (h) x 35mm (d)

Shipping dimensions:

24" l x 4" h x 4" d
610mm (l) x 102mm (h) x 102mm (d)

Approximate total shipping weight:

7 lbs / 3.2 kgs

VESA:

100 x 100 - 400 x 400mm



EXT-LG-MB

Sizes: 40" - 65"

Max weight varies per application

Assembled unit:

24" w x 16" h x 1.4" d
610mm (w) x 410mm (h) x 35mm (d)

Shipping dimensions:

28" l x 6" h x 6" d
711mm (l) x 152mm (h) x 152mm (d)

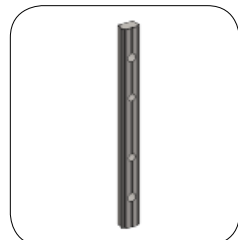
Approximate total shipping weight:

8 lbs. / 3.6 kgs

VESA:

100 x 100 - 600 x 400mm

Included hardware:



LN-100

x2



M5 x 10

LN-LCD-SCW

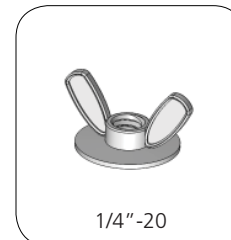
x2



1/4"-20 x 1"

BOLT-1

x2



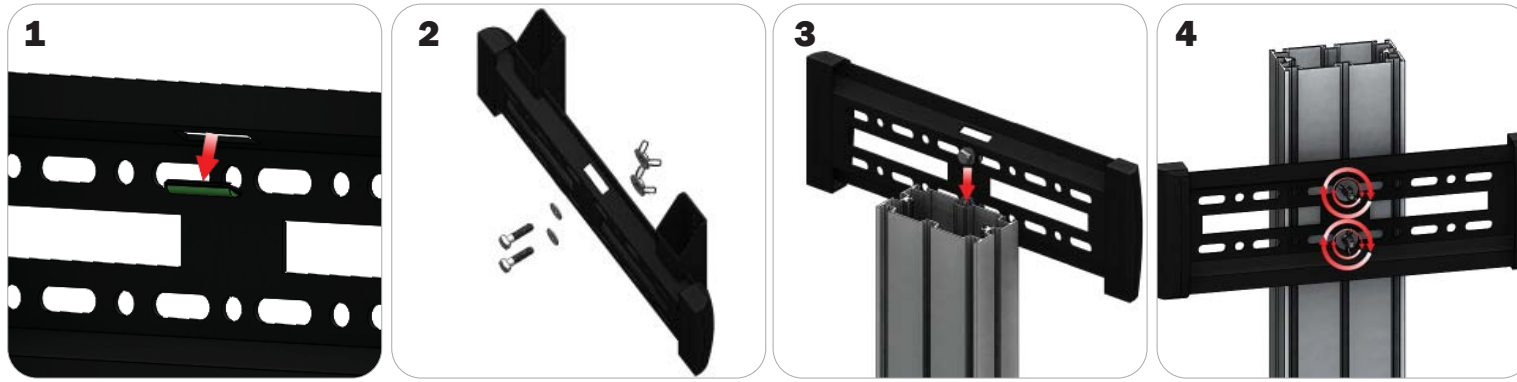
1/4"-20

Flange Wingnut

x2

EXTRUSION CONNECTION

Channel Connection A

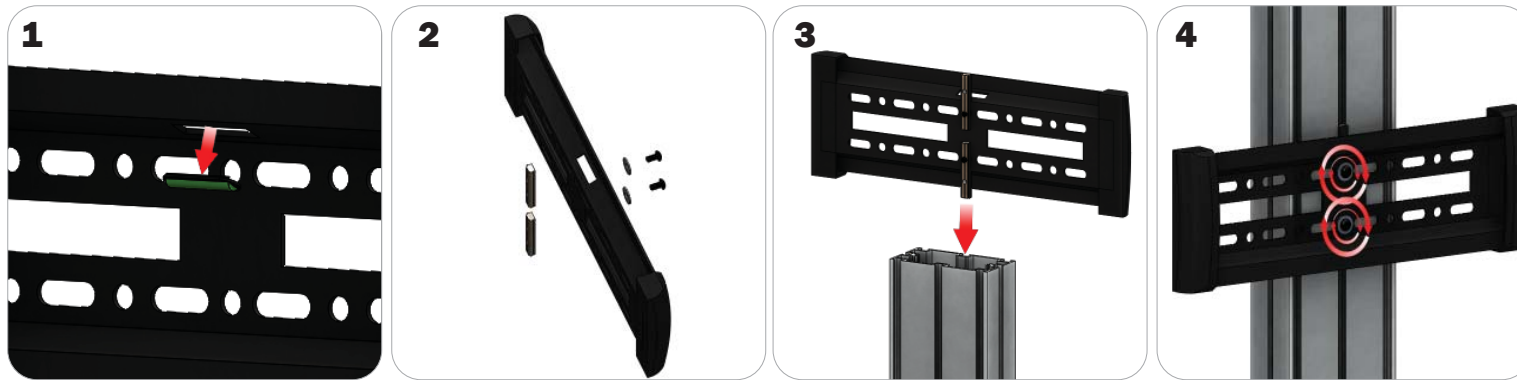


Locate all components needed to assemble the monitor mount with the channel connection A method. You will need (1) monitor bracket, (2) square head bolts, (2) washers, and (2) wingnuts.

Step 1: Apply pressure to the rear side of the leveling gauge clipped into the monitor mount to remove it. **Step 2:** Insert the provided bolts through the washers and center top and bottom holes of the monitor mount. Loosely thread your wingnuts onto the end of the bolts. **Step 3:** Slide the bolt heads down the extrusion channel.

Step 4: Tighten your wingnuts to lock the monitor bracket in place. **Step 5:** Reference the included manufacturer monitor mount instructions for fastening your monitor to the bracket.

Channel Connection B



Locate all components needed to assemble the monitor mount with the channel connection B method. You will need (1) monitor bracket, (2) LN-LCD-SCW, (2) LN-100, and (2) washers.

Step 1: Apply pressure to the rear side of the leveling gauge clipped into the monitor mount to remove it. **Step 2:** Loosely thread the LN-LCD-SCW screws through the washers, the center top and bottom holes of the monitor bracket, and through the LN-50 holes. **Step 3:** Slide the LN-100s down the extrusion channel. **Step 4:** Tighten your LN-LCD-SCW to lock the monitor bracket in place.

Step 5: Reference the included manufacturer monitor mount instructions for fastening your monitor to the bracket.

TRI-30MM Channel Tube Connection



Locate all components needed to assemble the monitor mount with the TRI-30MM Channel Tube Connection method. You will need (1) monitor bracket, (2) Square Bolts, and (2) Wingnuts.

Step 1: Slip the head of the square bolts into the extrusion channel of the tube. **Step 2:** Apply your monitor bracket to the protruding square bolts. **Step 3:** Lock your monitor bracket to the square bolts using the provided wingnuts. **Step 4:** Reference the included manufacturer monitor mount instructions for fastening your monitor to the bracket.